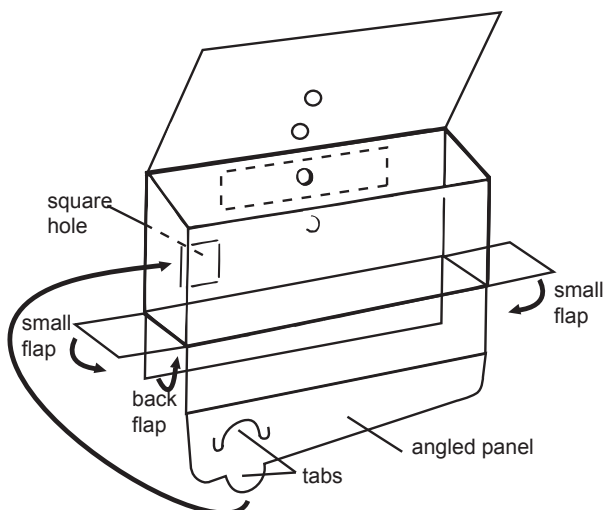
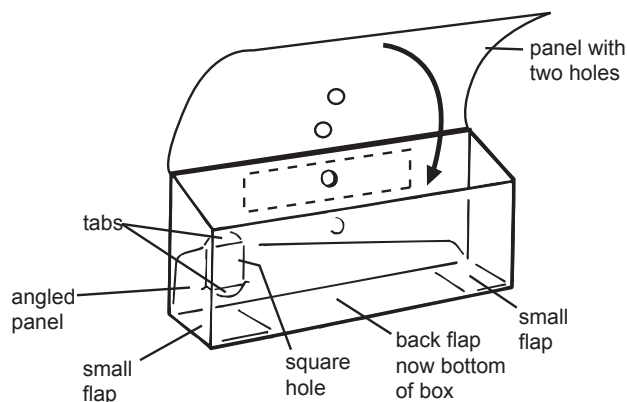


- 1 First, fold back flap up to create bottom of box. Fold small flaps over back flap. Fold angled panel around bottom of box and insert tabs into square hole located in the back panel of box.



- 2 Fold panel with two holes into the box.

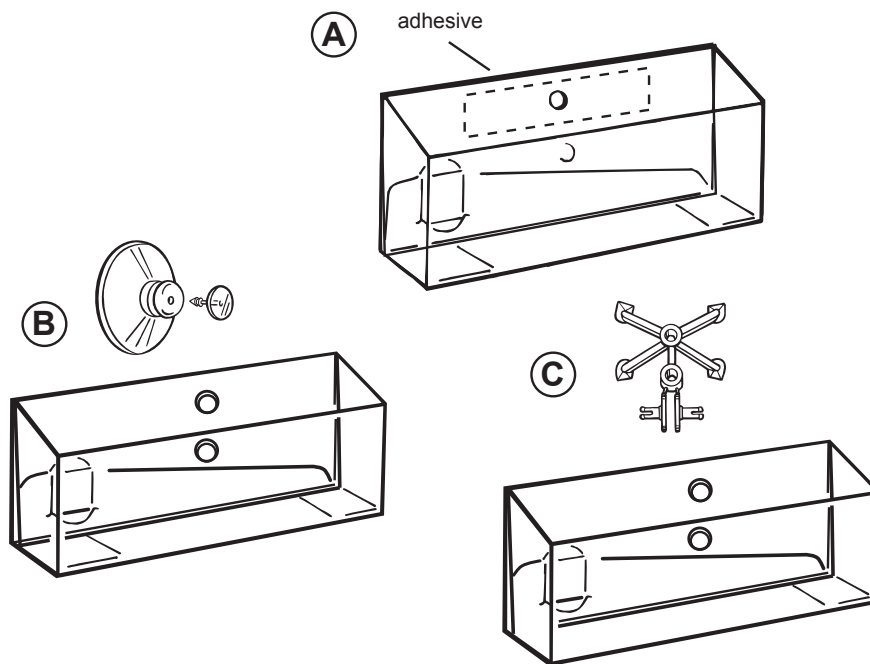


- 3 CB-87 Pop-Up® Coupon Box assembly is complete and ready for mounting.

A) Remove adhesive backing and mount to a clean smooth surface.

B) Insert pin through hole and into suction cup.

C) Insert pin through hole and into spider clip.



20190410